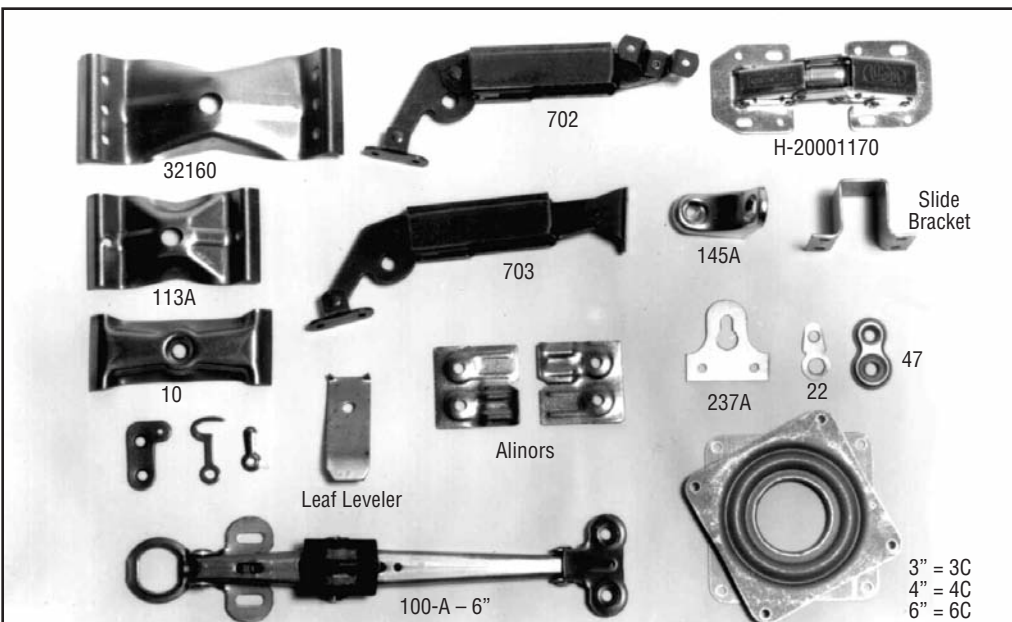
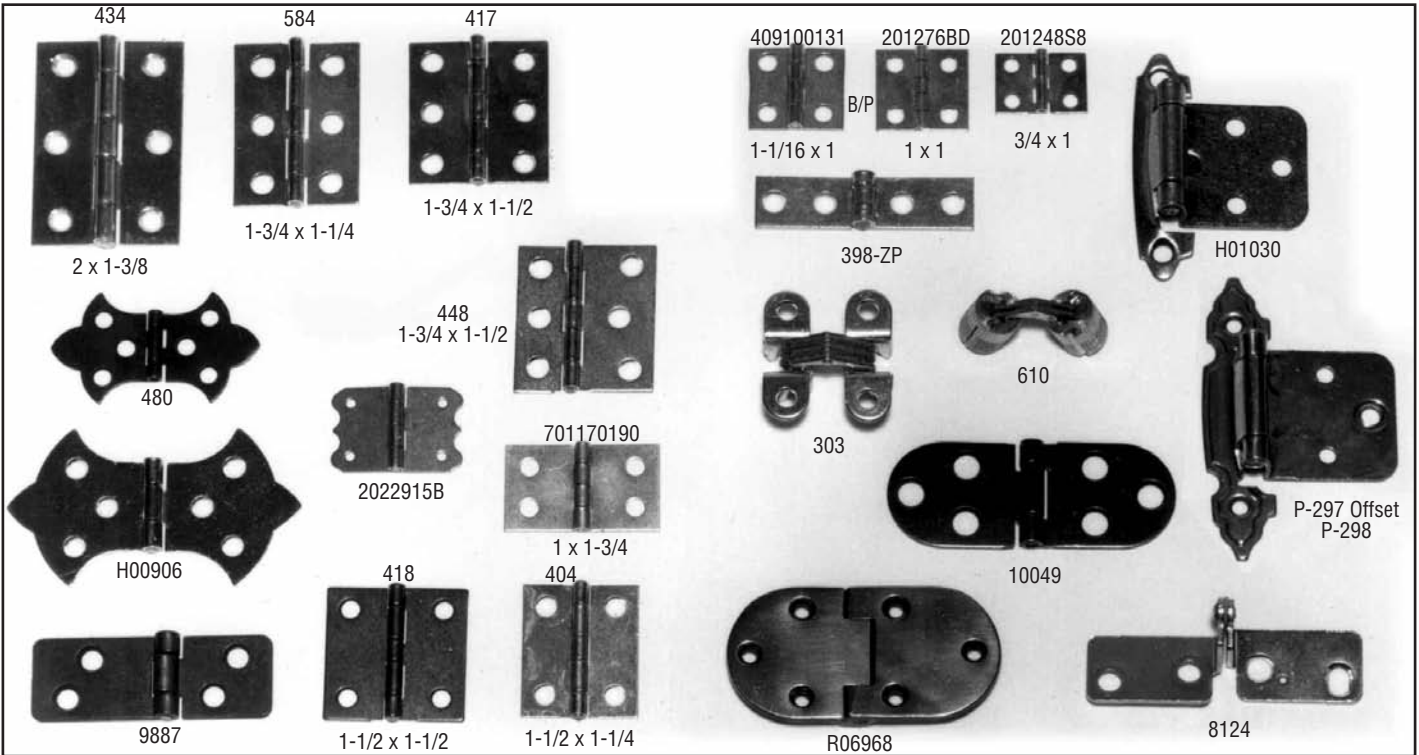
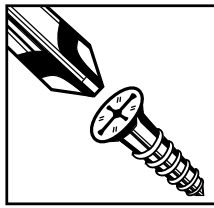


# GARDNER SCREW CORPORATION

Screw Machine Products • Furniture Hardware • Metal Fasteners & Stamping • Industrial Supplies  
 Serving Industry Since 1923

## Furniture Hardware



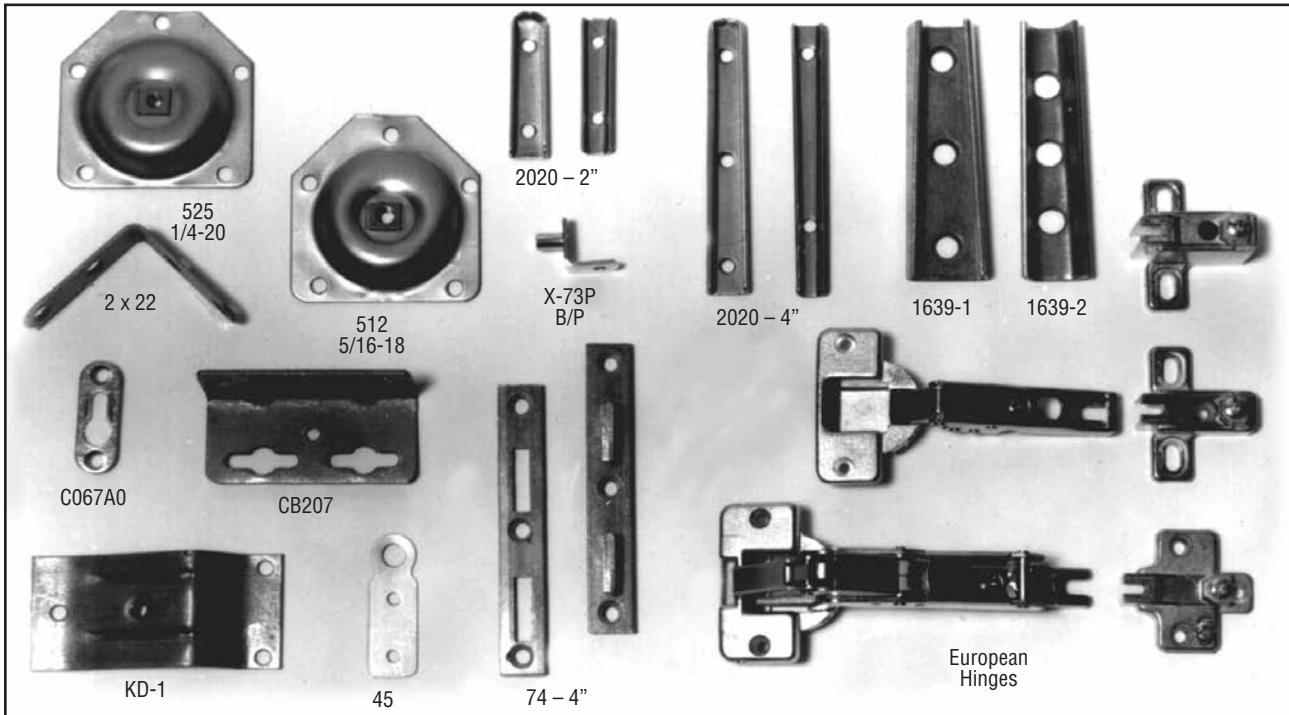
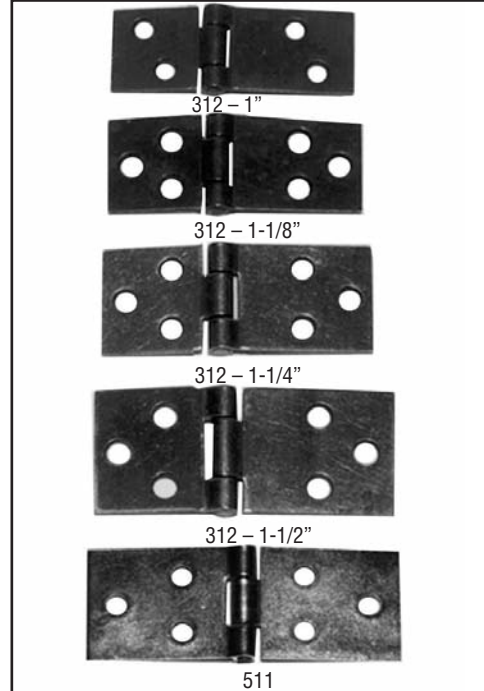
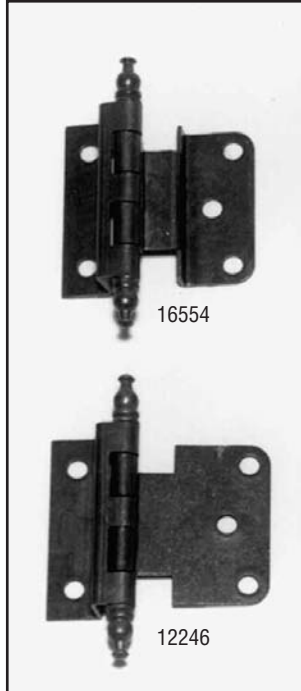
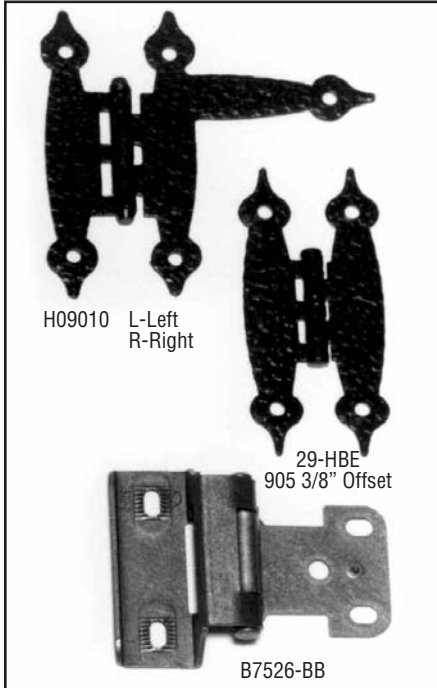


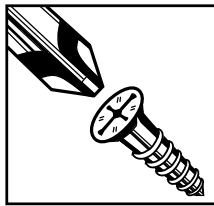
# GARDNER SCREW CORPORATION

Screw Machine Products • Furniture Hardware • Metal Fasteners & Stamping • Industrial Supplies

Serving Industry Since 1923

## Furniture Hardware

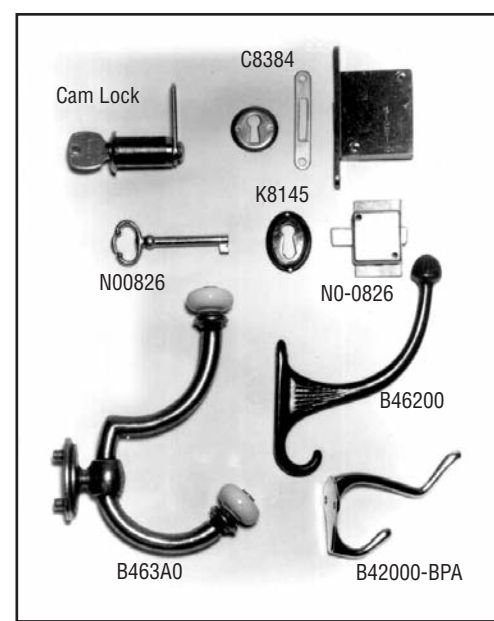
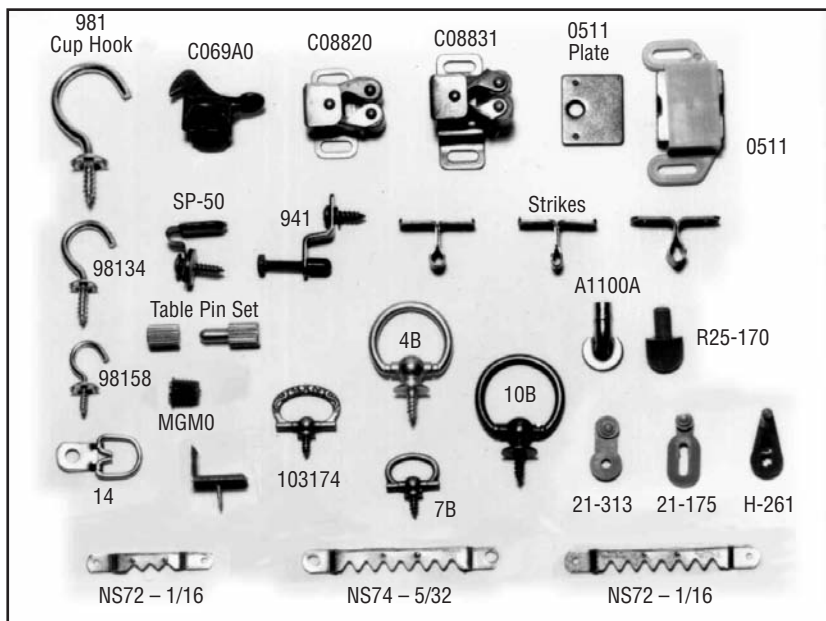
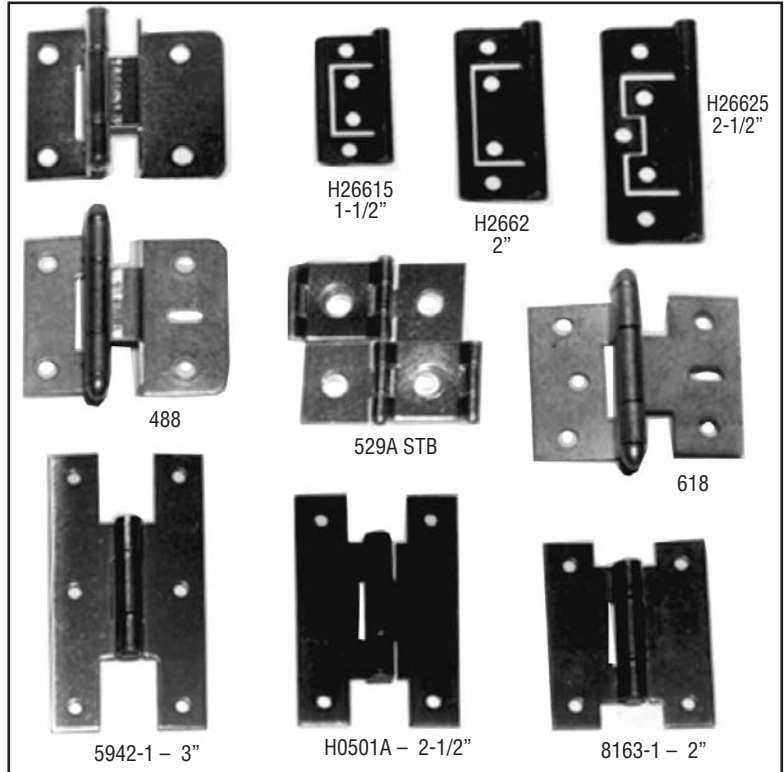


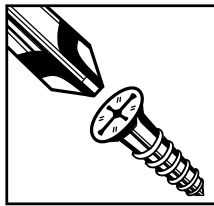


# GARDNER SCREW CORPORATION

Screw Machine Products • Furniture Hardware • Metal Fasteners & Stamping • Industrial Supplies  
 Serving Industry Since 1923

## Furniture Hardware



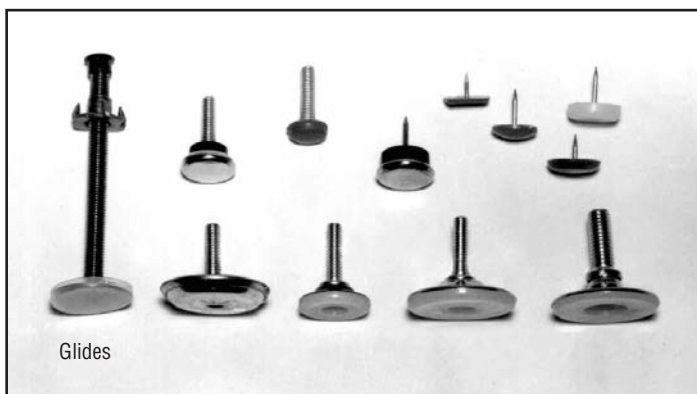
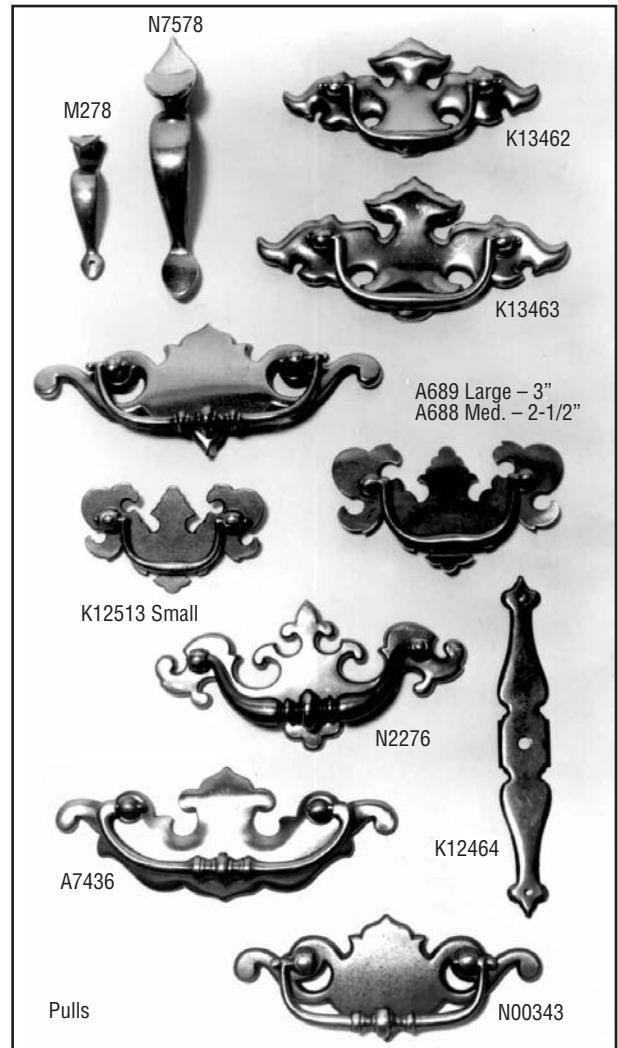
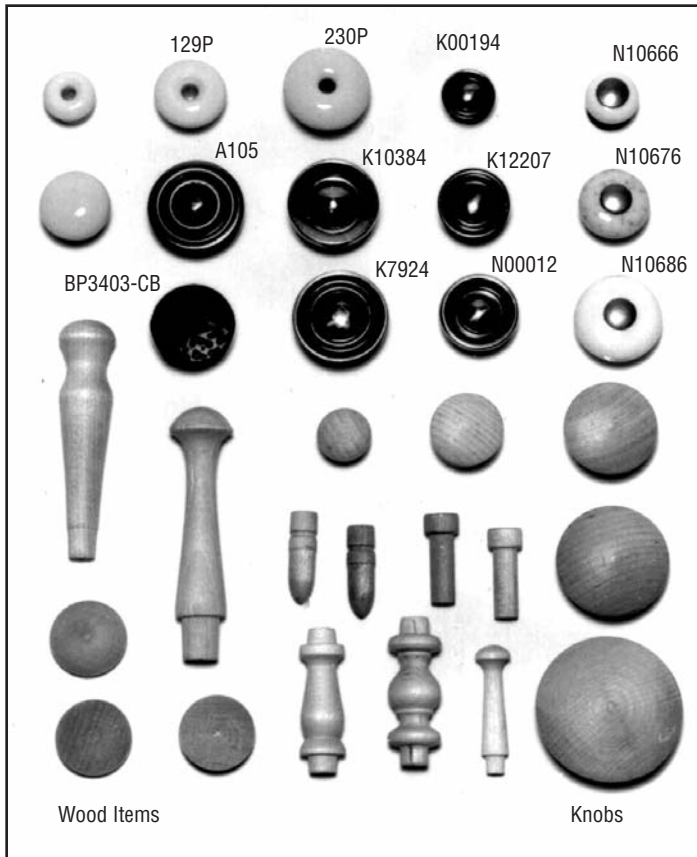


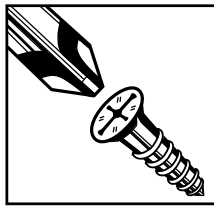
# GARDNER SCREW CORPORATION

Screw Machine Products • Furniture Hardware • Metal Fasteners & Stamping • Industrial Supplies

Serving Industry Since 1923

## Furniture Hardware and Trim





# GARDNER SCREW CORPORATION

Screw Machine Products • Furniture Hardware • Metal Fasteners & Stamping • Industrial Supplies  
 Serving Industry Since 1923

## ClampNail Wood Joint Fasteners



Butt Joints



Flat Miters



Edge Miters



Braced Edge Miters



Braced Edge Miters



Edge Polygon Miters



Rounded Edge or Flat Butts



End Butts

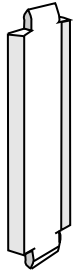


Flat Polygon Miters



Odd Angle Joints

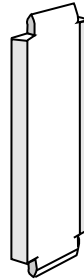
### #6V



- Drive Wide End First
- Appx. 3/8" wide
- Recommended for use in wood 1/2" to 5/8" thick

Length	Appx. Fasteners/lb.
1/2"	483
5/8"	359
3/4"	298
7/8"	246
1"	189
1-1/4"	168
1-1/2"	139
1-3/4"	119
2"	103
2-1/2"	74
3"	58

### #11V



- Drive Wide End First
- Appx. 11/16" wide
- Recommended for use in wood 3/4" to 1-1/4" thick

Length	Appx. Fasteners/lb.
3/4"	174
1"	133
1-1/4"	105
1-1/2"	84
1-3/4"	73
2"	61
2-1/2"	50
3"	40
3-1/2"	35
4"	29
4-1/2"	26
5"	23

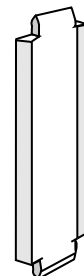
### #9V



- Drive Wide End First
- Appx. 9/16" wide
- Recommended for use in wood 5/8" to 3/4" thick

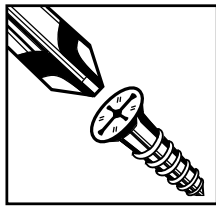
Length	Appx. Fasteners/lb.
1/2"	338
5/8"	284
3/4"	216
7/8"	186
1"	158
1-1/4"	124
1-1/2"	96
1-3/4"	87
2"	75
2-1/4"	67
2-1/2"	60
2-3/4"	54
3"	50
3-1/2"	40

### #10V



- Drive Wide End First
- Appx. 5/8" wide
- Recommended for use in wood 5/8" to 1" thick

Length	Appx. Fasteners/lb.
1/2"	339
5/8"	249
3/4"	215
1"	140
1-1/4"	115
1-1/2"	95
1-3/4"	81
2"	67
2-1/2"	54
3"	44
3-1/2"	42
4"	33
4-1/2"	29
5"	23
6"	21

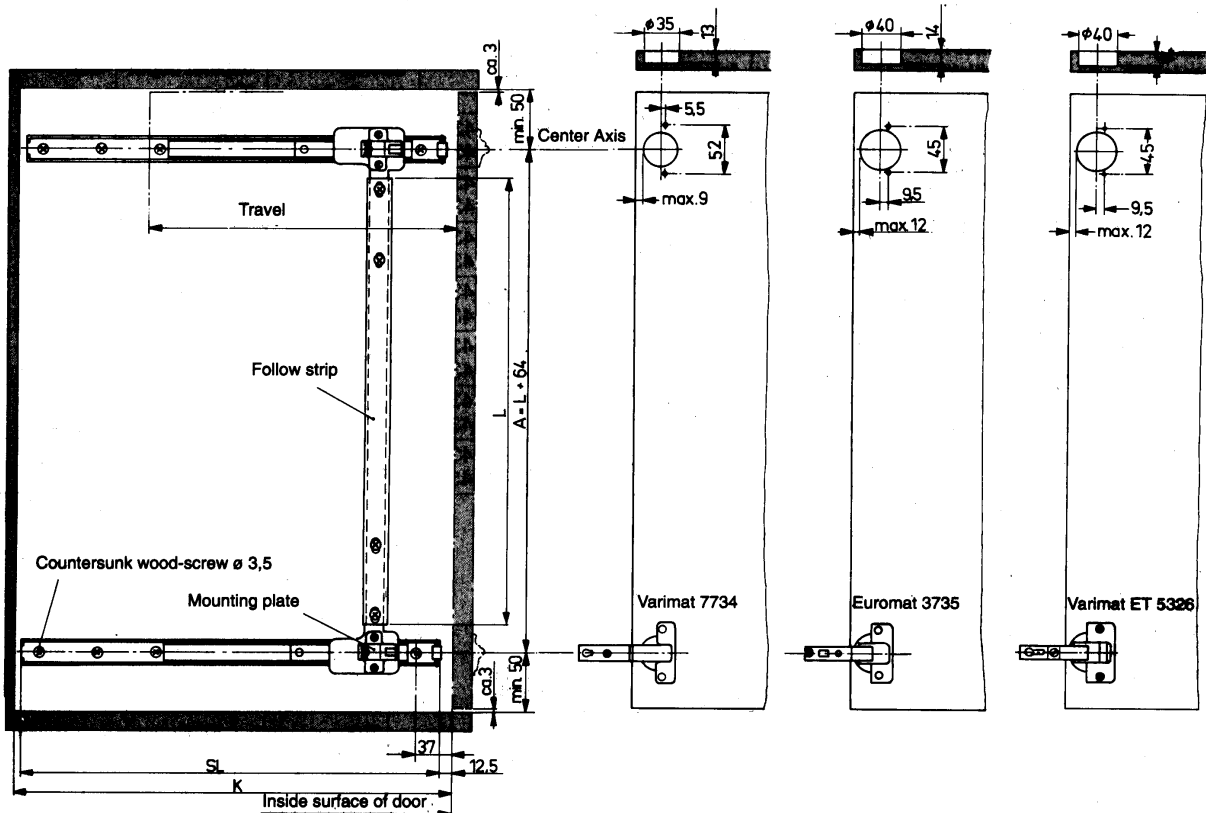
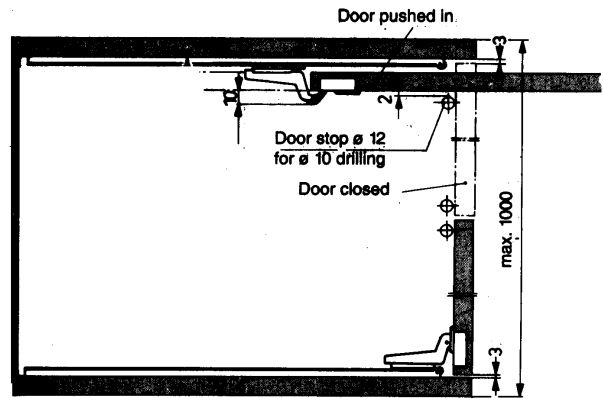
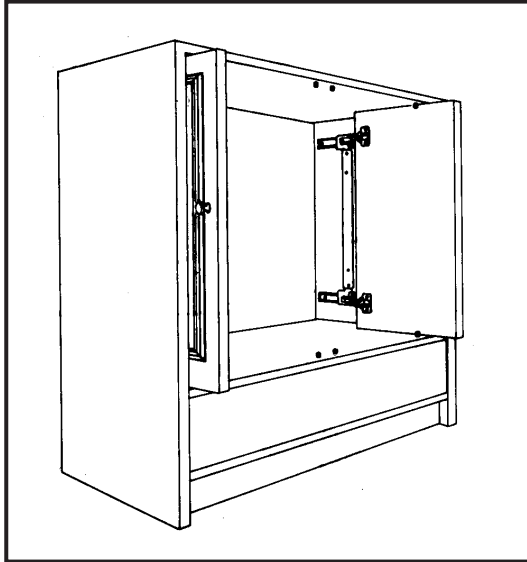


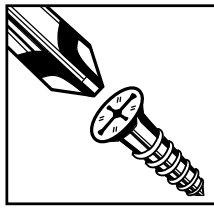
# GARDNER SCREW CORPORATION

Screw Machine Products • Furniture Hardware • Metal Fasteners & Stamping • Industrial Supplies

Serving Industry Since 1923

## Hideaway Sliding Door Mechanism





# GARDNER SCREW CORPORATION

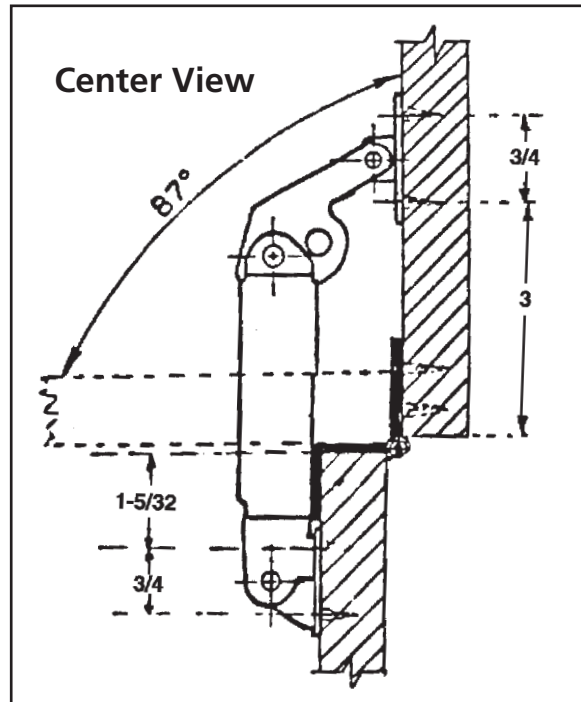
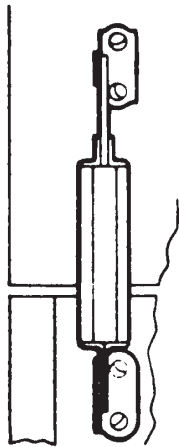
Screw Machine Products • Furniture Hardware • Metal Fasteners & Stamping • Industrial Supplies

Serving Industry Since 1923

## Spring Loaded Lid Supports

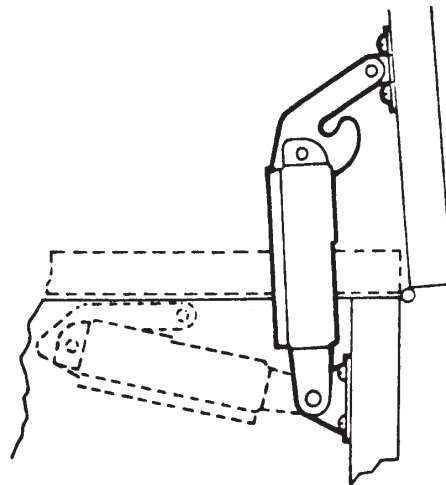
### Series 703

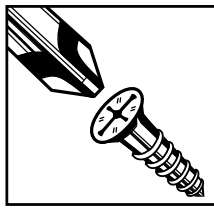
Rear Mounted



Spring Color	Inch Pounds	
	Low Limit	High Limit
Orange	95	125
Yellow	65	95
Black	55	65
Maroon	45	55
Green	40	45
Blue	35	40
Grey	20	35

**\*NOTE:** To find inch-pounds. Multiply one-half the distance from front to back times the weight of the lid.





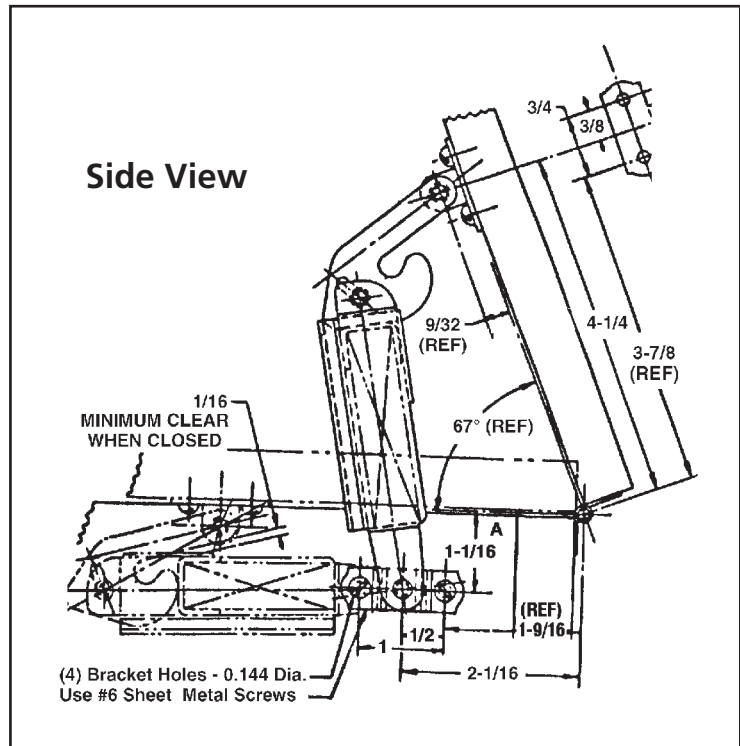
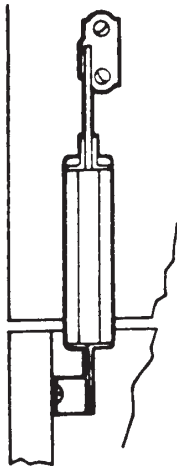
# GARDNER SCREW CORPORATION

Screw Machine Products • Furniture Hardware • Metal Fasteners & Stamping • Industrial Supplies

Serving Industry Since 1923

## Spring Loaded Lid Supports

### Series 702 Side Mounted



Spring Color	Inch Pounds	
	Low Limit	High Limit
Orange	95	125
Yellow	65	95
Black	55	65
Maroon	45	55
Green	40	45
Blue	35	40
Grey	20	35

**\*NOTE:** To find inch-pounds. Multiply one-half the distance from front to back times the weight of the lid.

